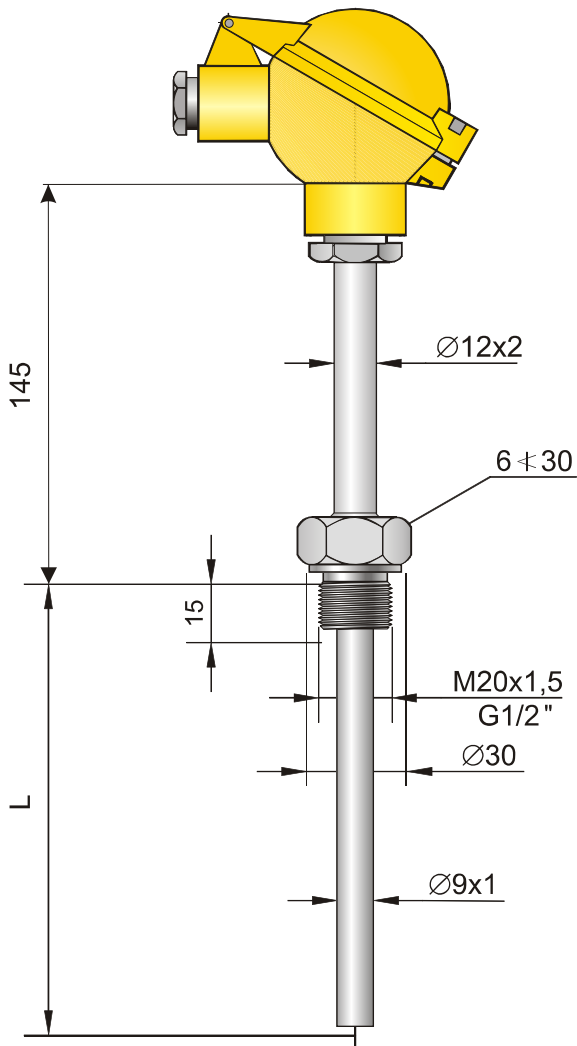


# Temperature sensor type CT GN1



## TECHNICAL DATA:

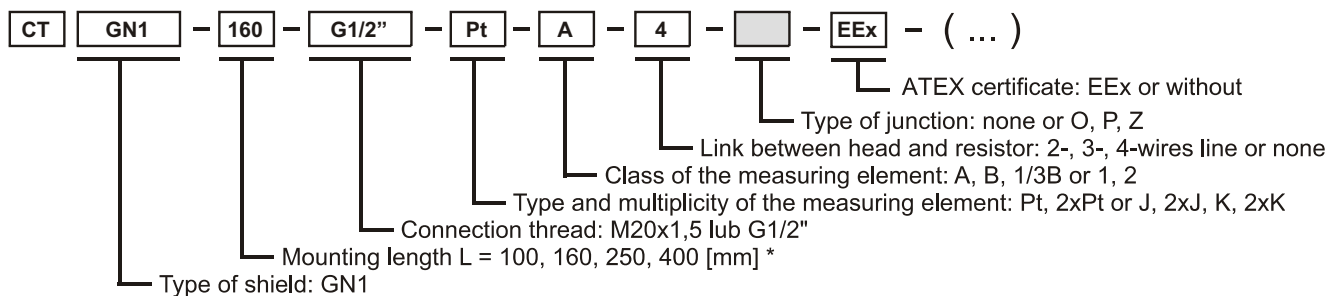
- Measuring range:  
Pt: -200 ... 550 [°C]  
J/K: -200 ... 550 [°C]
- Admissible load:  
see **Graph 2** (page 126)
- Material of wetted parts:  
304ss or 316Lss
- Standard immersion length L:  
100, 160, 250, 400 [mm] (\*)
- Process connection:  
M20x1.5 or G1/2"
- Time constant:

Pt	T <sub>0.5</sub> [s]	T <sub>0.9</sub> [s]
	≤ 33	≤ 95

J/K	Isolated junction		Grounded junction	
	T <sub>0.5</sub> [s]	T <sub>0.9</sub> [s]	T <sub>0.5</sub> [s]	T <sub>0.9</sub> [s]
	≤ 22	≤ 62	≤ 3	≤ 8

- Diameter of the measuring insert:  
Ø= 6 [mm]
- Minimal immersion depth:  
Pt: 70 [mm]  
J/K: 60 [mm]

## Ordering procedure:



## ADDITIONAL INFORMATION:

- \* Non-standard length and diameters of temperature sensors on demand.
- Type of exchangeable insert: W1.
- To specify temperature sensor with the head - mounted transmitter please add code of transmitter at the end of ordering code of sensor (see chapter X) e.g.

CT - GN1 - 160 - G1/2" - Pt - A - 4 -   - EEx - ( X/100 ÷ 500 )